



316 CAST Stainless Steel Submersible Pumps



316 Stainless Steel pumps for corrosive environments. From portable to permanent installations, BJM has several designs available to fit your particular job.



BJM Corp.

BJM Corp. is headquartered in Old Saybrook, CT, USA and has been serving the industry since 1983. The company has grown steadily by servicing its customers with quality products at a modest price.

Submersible Pumps

SUBMERSIBLE PUMPS - from 1/6th HP to 30 HP designed to meet your application needs. Models available include Slim Line Top Discharge De-Watering pumps; Vortex, Single and Double Vane impeller pumps, Shredder and Grinder pumps for sewage, agricultural and industrial waste; Heavy Duty sand, sludge and slurry pumps with agitator action. Pumps are available in various materials such as: Hi-Chrome, 316 Cast Stainless Steel, Special Aluminum alloy, Noryl, Titanium and Cast Iron.

Service

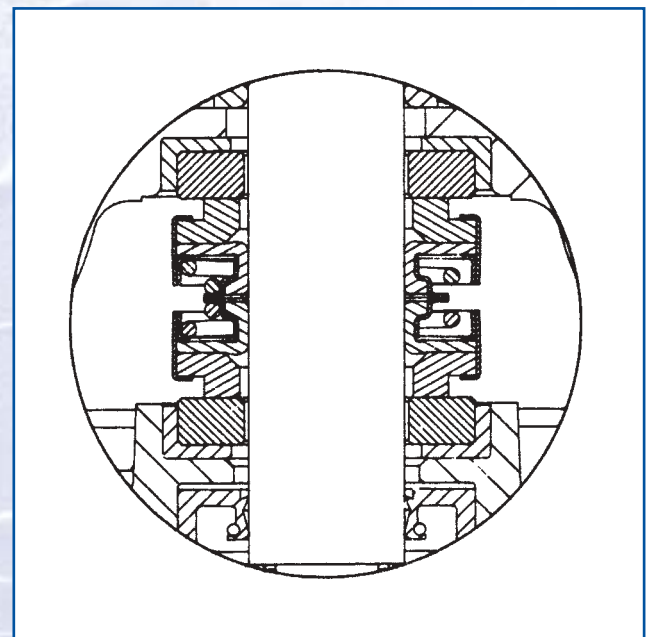
Customer satisfaction and product improvement is a continuous commitment. In fact, most product improvements come about from input by BJM customers. The manufacturing facilities where the pumps are assembled are ISO 9001.

BJM Corp. - Quality Products at a reasonable price.

Long Life and Trouble-Free Performance

To protect the motor, all BJM pumps features dual mechanical seals that work in a separate oil-chamber. For added protection, a lipseal ring has been installed under the oil chamber. This seal helps to prevent silt and sand to get to the lower seal.

All pumps are equipped with overload protection which guards against low and high amperage as well as overheating. Each pump is tested at the factory, both for performance as well as for safety.



- Triple protection sealing system
- Dual Mechanical Seals in Oil Chamber
- Lipseal Ring outside Oil Chamber

RX-SERIES



RX750SS

Top Discharge Models:

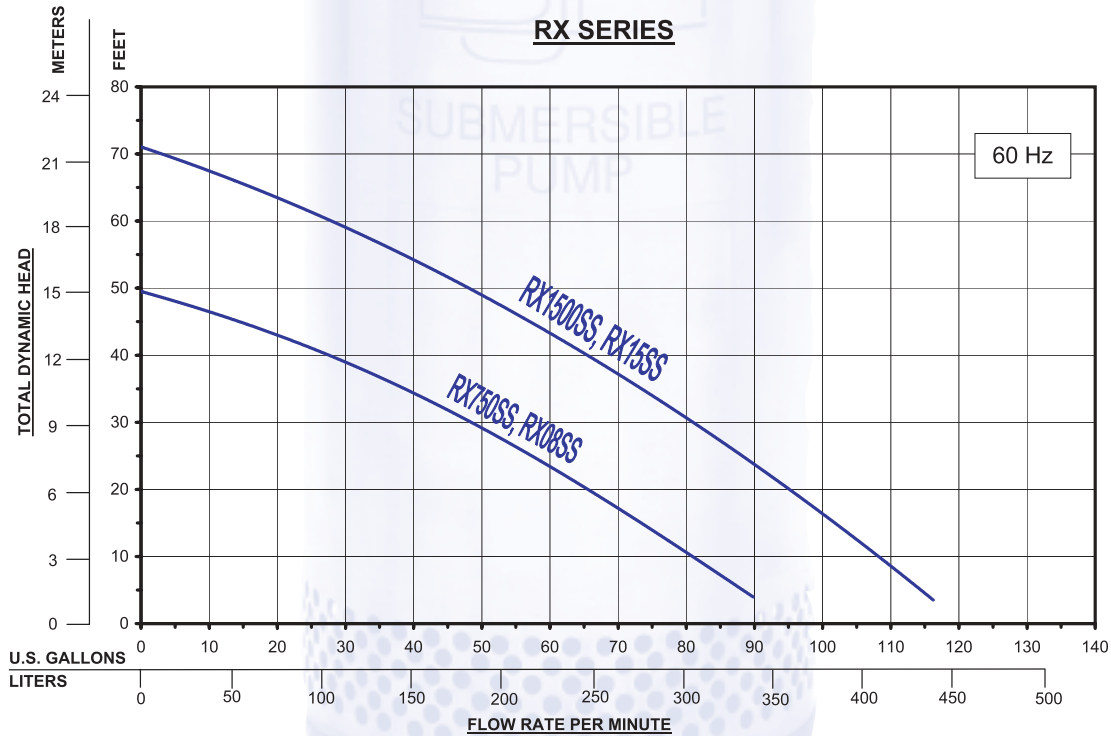
Top discharge pumps, which transports the liquid up and around the motor before discharging, ensures better cooling effect in low level liquid applications.

Features:

RX pumps are available in one (1) and two (2) H.P., in single as well as three-phase voltage. Class F insulation and overload protection ensures a long life. RX models are delivered standard with 2" stainless NPT discharge connection. (3" adapter available).

Materials:

All wear and "wet" parts such as impeller, wear-plate, oil housing, pump-housing and inner pump top are made of Cast 316 stainless material. The elastomers such as o-rings, lip seals and gaskets are made of Viton®. Standard power cable is made of oil-resistant material. Special installation can be made with EPDM power-cable and elastomers. (BUNA (Nitril) also available).



MODEL	DISCH. SIZE	H.P.	VOLT	RATED AMPS	PHASE	RPM	MAX SOLIDS	MAX HEAD	MAX GPM	POWER CABLE	WEIGHT LBS.	HEIGHT	WIDTH
RX750SS	2"	1	115/230	14/7	1	3450	1/4"	49'	89'	50'	55	19.3"	7.3"
RX1500SS	2"	2	230	14	1	3450	1/4"	71'	116'	50'	69	20.5"	7.3"
RX08SS	2"	1	230/460	3/1.5	3	3450	1/4"	49'	89'	50'	54	19.3"	7.3"
RX15SS	2"	2	230/460	6/3	3	3450	1/4"	71'	116'	50'	61	19.3"	7.3"

JX-SERIES



JX400SS

Side Discharge Models:

Side discharge type submersibles are typically used in sump applications where the liquid level can be controlled and where the pumps are partially submerged when in operation. The JX models are designed for general pumping purposes where the passing or shredding of larger solids is not required.

Features:

Class F motor insulation, overload and thermal breaker protection ensures longer life. JX pumps are available in size 0.5 to 10 H.P. Single-phase versions are from 0.5 to 2 H.P. 50 Hz models can be ordered at the same low price as for 60 Hz. Dual mechanical seals with the lower made of highly wear resistant silicon carbide against ceramic, for less downtime and long life.

Materials:

All "wet parts" are of highest quality 316 stainless steel. Wear parts are made of Cast material. The 0.5 to 2 H.P. JX pumps are made with **Precision Cast Parts** (also referred to as Investment Castings), the same quality that is used in aircraft and space vehicles due to its superior density and strength. Other models are manufactured with sand cast parts.

Elastomers such as gaskets and o-rings are made of Viton®. Standard powercable is made of oil resistant quality, which works very well in most environments. EPDM quality cable and elastomers as well as BUNA elastomers are available on special order.

WARNING: NOT FOR USE IN ANY FLAMABLE LIQUIDS!

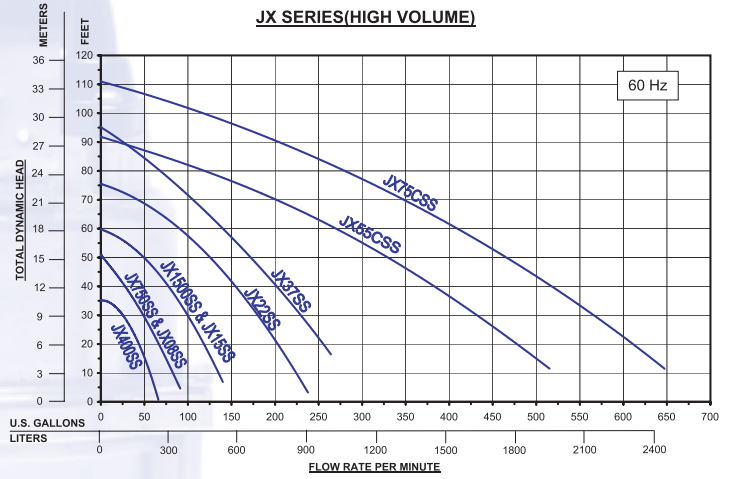
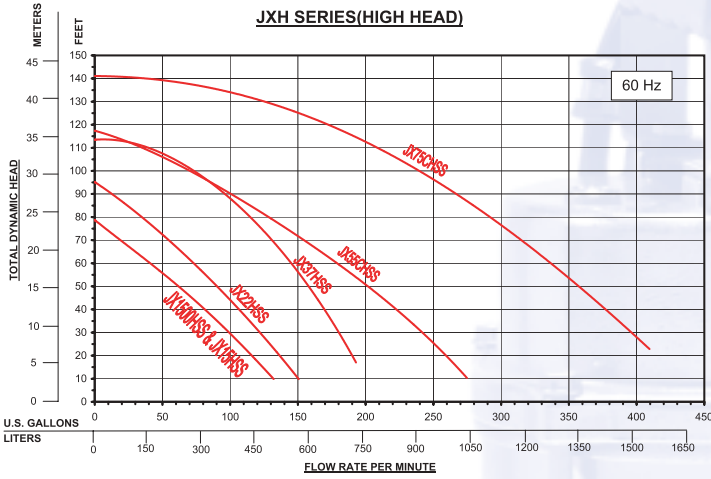
Use a chemical resistance chart to check compatibility of pump materials with liquids.



JX75CSS

JX55CSS and JX75CSS

The 7.5 and 10 H.P. models have two external lip seals that ride on a replaceable shaft sleeve. This prevents the formation of grooves on the impeller shaft. The JX55CSS and JX75CSS can be mounted on BJM's 316 stainless steel slide-rail equipment.



High Volume

MODEL	DISCH. SIZE	H.P.	VOLT	RATED AMPS	PHASE	RPM	MAX SOLIDS	MAX HEAD	MAX GPM	POWER CABLE	WEIGHT LBS.	HEIGHT	WIDTH
JX400SS	2"	0.5	115/230	7/3.5	1	3450	1/8"	35'	66	33'	32	15.7"	8.5"
JX750SS	2"	1	115/230	14/7	1	3450	3/16"	50'	91	33'	55	17.3"	11.2"
JX1500SS	3"	2	230	14	1	3450	3/16"	59'	140	50'	72	18.7"	12.5"
JX08SS	2"	1	230/460	3/1.5	3	3450	3/16"	50'	91	33'	51	15.2"	11.2"
JX15SS	3"	2	230/460	6/3	3	3450	3/16"	59'	140	33'	65	16.4"	11.2"
JX22SS	3"	3	230/460	9/4.5	3	3450	3/8"	75'	237	33'	87	18.5"	12.5"
JX37SS	4"	5	230/460	14/7	3	3450	3/8"	95'	264	33'	97	19.7"	12.5"
JX55CSS	4"	7.5	230/460	21/10.5	3	3450	3/8"	91'	515	33'	190	25.5"	20.5"
JX75CSS	4"	10	230/460	30/15	3	3450	3/8"	110'	647	33'	215	27.75"	20.5"

High Head

MODEL	DISCH. SIZE	H.P.	VOLT	RATED AMPS	PHASE	RPM	MAX SOLIDS	MAX HEAD	MAX GPM	POWER CABLE	WEIGHT LBS.	HEIGHT	WIDTH
JX1500HSS	2"	2	230	14	1	3450	3/16"	78'	132	50'	72	18.7"	12.5"
JX15HSS	2"	2	230/460	6/3	3	3450	3/16"	78'	132	33'	57	16.4"	11.2"
JX22HSS	2"	3	230/460	9/4.5	3	3450	3/8"	95'	150	33'	86	18.5"	12.5"
JX37HSS	2"	5	230/460	14/7	3	3450	3/8"	113'	192	33'	97	19.7"	12.5"
JX55CHSS	2"	7.5	230/460	21/10.5	3	3450	3/8"	117'	274	33'	184	25.5"	20.5"
JX75CHSS	2"	10	230/460	30/15	3	3450	3/8"	141'	409	33'	209	27.75"	20.5"

SX & SKX-SERIES



SX/SKX750

Non Clog Shredder and Single Vane Pumps:

Side discharge and non-clog single vane impellers for the passing of solids while delivering high volume of liquids through 2 - 6 inch pipe.

The impellers on the SKX models are equipped with a Tungsten Carbide tip, which runs against a suction plate with grooves. This creates a "shredding action" leaving larger particles than those produced in a regular Grinder Pump.

The SX models have the same type of open single vane impellers as the SKX but without the Tungsten Carbide tip.

All SX and SKX models can be mounted on BJM's 316 stainless steel slide-rail equipment.

Features:

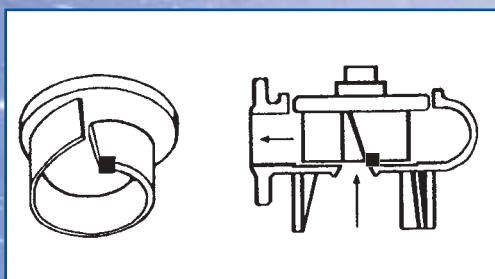
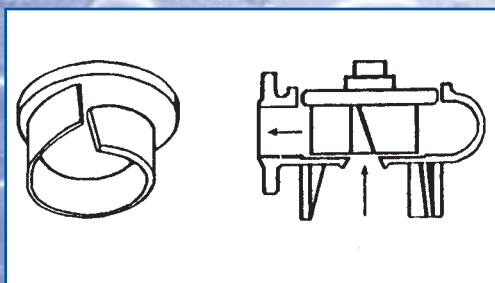
Class F or H motor insulation, overload and thermal breaker protection ensures longer life. Pumps are available in sizes from 1 to 20 H.P. Single-phase versions are available in 1 and 2 H.P. 50 Hz models can be ordered at the same low price as for 60 Hz. Dual mechanical seals with the lower made of highly wear resistant silicon carbide against ceramic, for less downtime and long life.

Materials:

All "wet parts" are of highest quality 316 stainless steel. Wear parts are made of Cast material. Elastomers such as gaskets and o-rings are made of Viton®. Standard power cable is made of oil resistant quality, which works very well in most environments. EPDM quality cable and elastomers as well as BUNA elastomers are available on special order.

WARNING: NOT FOR USE IN ANY FLAMABLE LIQUIDS!

Use a chemical resistance chart to check compatibility of pump materials with liquids.



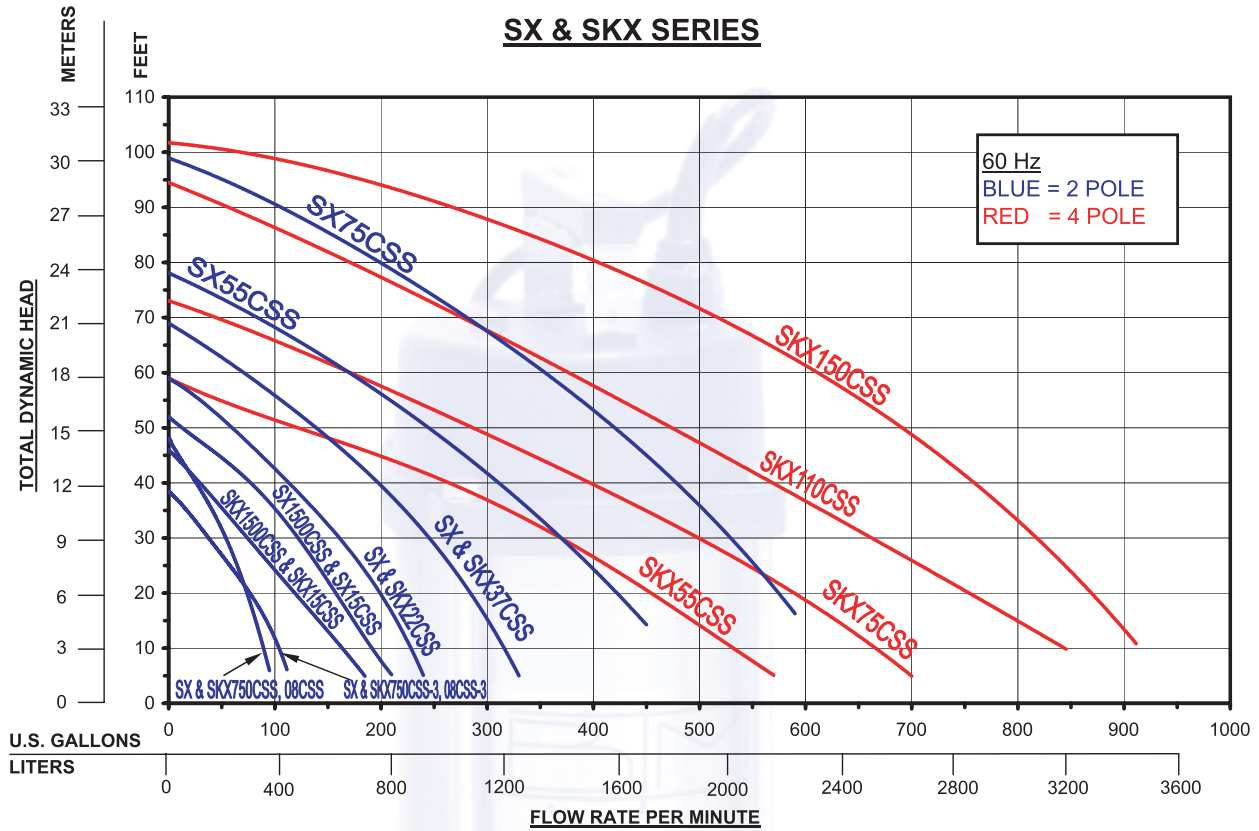
The SX pumps are equipped with non-clog single vane impellers.

The SKX pumps shreds solids to somewhat larger particles than those produced by so called Grinder Pumps. The "shredder action" is caused by an impeller equipped by a Tungsten Carbide tip running against a suction plate with grooves machined in the plate surface.

SLIDE RAIL INSTALLATIONS

The SX and SKX pumps can be mounted on BJM's 316 stainless steel slide-rail equipment.

SX & SKX SERIES



SKX

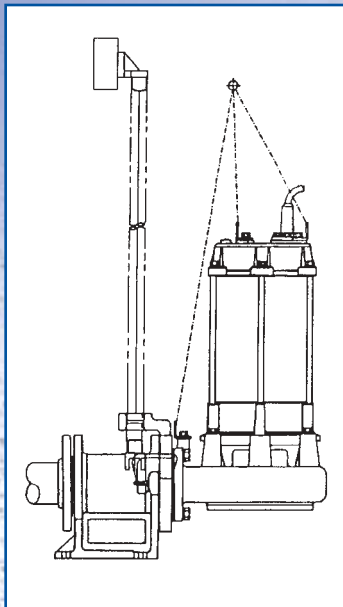
MODEL	DISCH. SIZE	H.P.	VOLT	RATED AMPS	PHASE	RPM	MAX SOLIDS	MAX HEAD	MAX GPM	POWER CABLE	WEIGHT LBS.	HEIGHT	WIDTH
SKX750CSS	2"	1	115/230	14/7	1	3450	1.9"	48'	95	33'	66	21.25"	13.5"
SKX750CSS-3	3"	1	115/230	14/7	1	3450	1.9"	38'	111	33'	80	22.3"	13.5"
SKX1500CSS	3"	2	230	14	1	3450	1.7"	46'	185	33'	93	21.5"	13.5"
SKX080CSS	2"	1	230/460	3/1.5	3	3450	1.9"	48'	95	33'	60	21.25"	13.5"
SKX080CSS-3	3"	1	230/460	3/1.5	3	3450	1.9"	38'	111	33'	74	18.3"	13.5"
SKX150CSS	3"	2	230/460	6/3	3	3450	1.7"	46'	185	33'	84	20.5"	13.5"
SKX220CSS	3"	3	230/460	9/4.5	3	3450	1.7"	59'	240	33'	113	21.8"	15.3"
SKX370CSS	3"/4"	5	230/460	14/7	3	3450	2.3"	69'	330	33'	121	22.5"	15.3"
SKX550CSS	4"	7.5	230/460	21/10.5	3	3450	3"	59'	570	33'	321	30"	29.5"
SKX750CSS	4"	10	230/460	30/15	3	3450	3"	73'	700	33'	337	31.2"	29.5"
SKX110CSS	6"	15	230/460	39.6/19.8	3	1750	3"	94'	845	33'	560	35.6"	35.2"
SKX150CSS	6"	20	460	25.7	3	1750	3"	101"	911	33'	587	37.6"	35.2"

SX

MODEL	DISCH. SIZE	H.P.	VOLT	RATED AMPS	PHASE	RPM	MAX SOLIDS	MAX HEAD	MAX GPM	POWER CABLE	WEIGHT LBS.	HEIGHT	WIDTH
SX750CSS	2"	1	115/230	14/7	1	3450	3/4"	48'	95	33'	66	21.25"	13.5"
SX750CSS-3	3"	1	115/230	14/7	1	3450	3/4"	38'	111	33'	80	22.3"	13.5"
SX1500CSS	3"	2	230	14	1	3450	1 1/3"	52'	210	33'	93	21.5"	13.5"
SX080CSS	2"	1	230/460	3/1.5	3	3450	3/4"	48'	95	33'	60	21.25"	13.5"
SX080CSS-3	3"	1	230/460	3/1.5	3	3450	3/4"	38'	111	33'	74	18.3"	13.5"
SX150CSS	3"	2	230/460	6/3	3	3450	1 1/3"	52'	210	33'	84	20.5"	13.5"
SX220CSS	3"	3	230/460	9/4.5	3	3450	1 1/2"	59'	240	33'	113	21.75"	15.25"
SX370CSS	3"/4"	5	230/460	14/7	3	3450	1 1/2"	69'	330	33'	121	22.5"	15.25"
SX550CSS	4"	7.5	230/460	21/10.5	3	3450	1 3/4"	78'	450	33'	198	27.5"	20.5"
SX750CSS	4"	10	230/460	30/15	3	3450	1 3/4"	99'	590	33'	227	30.25"	20.5"

Cut maintenance costs and time with the BJM Slide Rail Systems

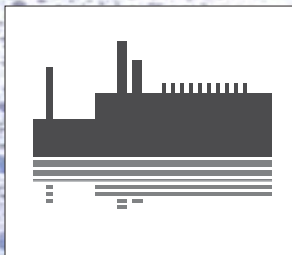
BJM Stainless Steel slide rail system is manufactured in Cast 316 SS. Standard delivery includes base and upper mounting bracket. Slide rails make routine pump inspections quick and easy. The system virtually eliminates the need for maintenance personnel to climb down into the wet well or sump. Especially beneficial in deep and/or narrow applications.



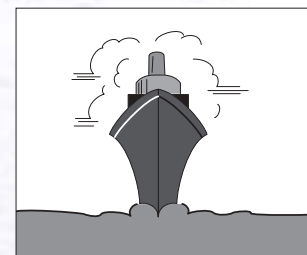
BJM Slide Rail Systems

Model Number	Product Description
SRX50SS-1	2" 316 SS ANSI Slide Rail base, pump slide and upper rail bracket.
SRX80SS-ANSI	3" 316 SS ANSI Slide Rail base, pump slide and upper rail bracket.
SRX100SS-ANSI	4" 316 SS ANSI Slide Rail base, pump slide and upper rail bracket.
SRX150SS-ANSI	6" 316 SS ANSI Slide Rail base, pump slide and upper rail bracket.

Consult your distributor, factory or www.bjmpumps.com for specifications.



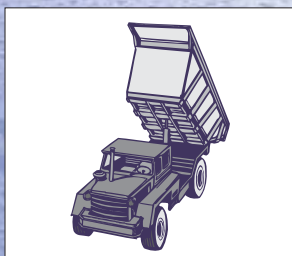
Industry



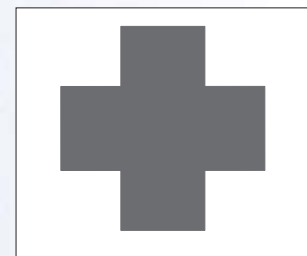
Marine



Agriculture



Construction & Landfills



Hospitals

NOTE: ALWAYS CONSULT CHEMICAL RESISTANCE CHART FOR MATERIAL COMPATIBILITY WITH DIFFERENT CHEMICALS.

Viton is a registered trademark of DuPont.



123 Spencer Plains Road
 P.O. Box 1138
 Old Saybrook, CT 06475
 Tel: 860-399-5937
 800-442-2562
 Fax: 860-399-7784
 E-mail: sales@bjmcorp.com
 Web: www.bjmpumps.com

Distributor: